



Wireless Constant Voltage LED Dimmer

(E3X-D02FP; with wireless capability)
(E3X-D02FP-M; master wireless dimmer)

Constant Voltage LED Dimmer

(NWO-D02FP; without wireless capability)

ILLUMRA Constant Voltage LED Dimmers deliver 65,000 pulse width modulation (PWM) dimming steps to provide elegant dimming through all light levels, driving loads up to 5 Amps.

The wireless dimmers (E3X-D02FP, E3X-D02FP-M) respond to wireless light switches and other transmitters. All three models can dim and turn off lights based on signals from wired sensors detecting occupancy or available natural light.

Easy-To-Use

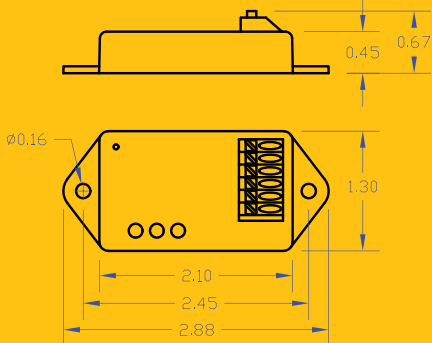
- Installs in minutes
- Easy configuration
- Requires no switch leg wires
- Ultra smooth 65,000 step dimming
- DIM or ON/OFF control of PWM LED lights

Reliable Range (E3X-D02FP and E3X-D02FP-M)

- 50 to 150 foot range (typical)
- Interacts with ILLUMRA switches
- Error checking ensures response only to appropriate wireless switches
- A single transmitter can control unlimited LED Dimmers in range
- Can function as a repeater

Save Energy, Time, and Money

Avoid costly and time-consuming installation of hardwired switches. Conserve energy and save money by choosing ILLUMRA.



LED WORLD INC.

1800-387-4081

www.ledworldlighting.com

Ultra Smooth LED Dimming

- Architectural dimming
- Daylighting
- Load shedding
- Manual ON/OFF, automatic ON/OFF controls

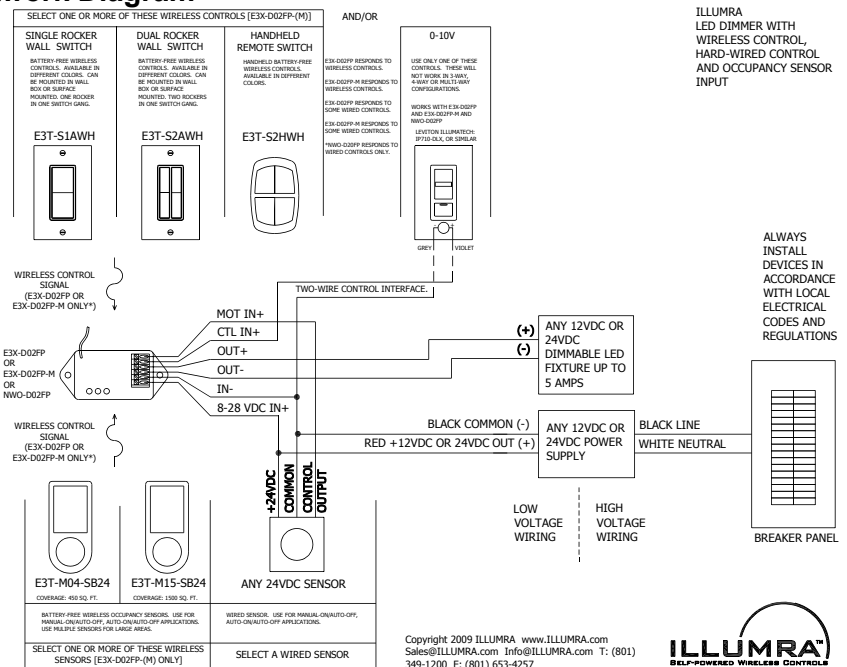
LED Control The Way You Want It

- Control this LED Dimmer with a variety of devices:
 - Self-powered wireless light switches
 - Wireless light sensors
 - Wireless or wired occupancy sensors
 - More



	E3X-D02FP, E3X-D02FP-M	NWO-D02FP
Range	50-150 feet (typical)	N/A
Frequency	315 MHz	N/A
Power Supply Input Rating	8-28VDC, 40mA (not incl. load current)	
Sensor Input Rating	0-28VDC, <1V is Low, >3V is High	
Output Rating	Constant voltage 0-28VDC, 5A max.	
Input Channels	1 motion detector / sensor input 1 wired control switch	
Output Channels	1 output PWM dimming	
Memory	Stores up to 30 unique wireless transmitter IDs in memory	N/A
Operating Temperature	-13° to +140°F (-25° to +60°C)	
Storage Temperature	-40° to +140°F (-40° to +60°C)	
Dimensions	3.26 x 2.07 x 1.42 inches (82 x 53 x 36 mm)	
Radio Certification	FCC (United States): SZV-TCM2XXC I.C. (Canada): 5713A-TCM2XXC	N/A

Network Diagram



This device or certain aspects thereof is protected by at least one U.S. or international patent or has at least one such patent application pending.



AHD0211E

Copyright 2009 ILLUMRA www.ILLUMRA.com
Sales@ILLUMRA.com Info@ILLUMRA.com T: (801) 349-1200 F: (801) 653-4257



ILLUMRA is a trademark of Ad Hoc Electronics, LLC. Other trademarks herein are the property of their respective owners.